



### PSR-YC10DPBR

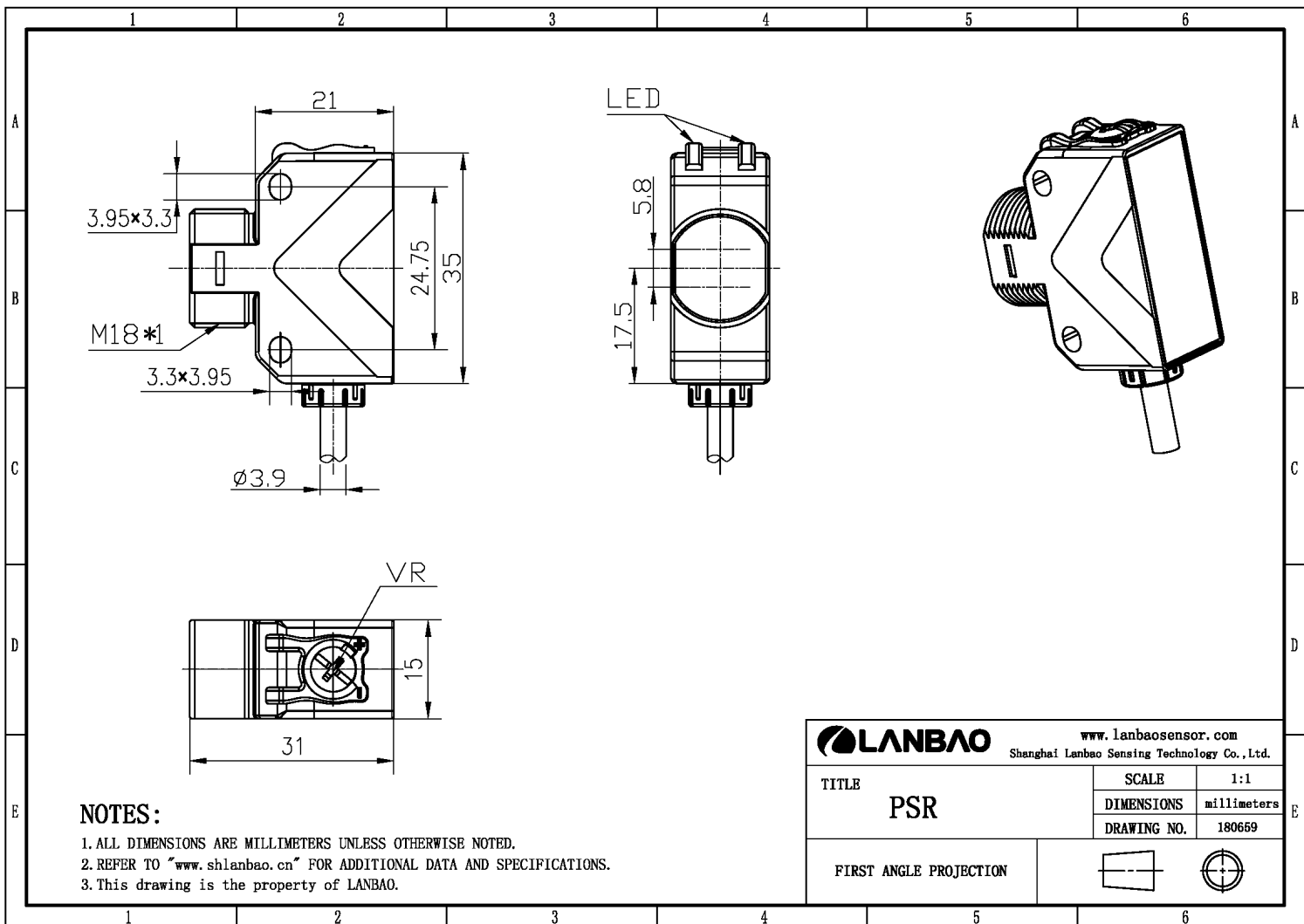
1  Request a written quotation



Contact engineer

buy online

3D graph Size graph Connection graph Collection Print page Share



Download

parameter

Download

Enclosure

type

Background suppression

Sensing distance

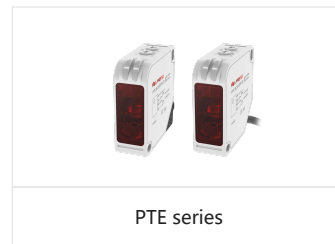
10cm

Light source

Red LED (660nm)

Spot diameter	8mm@10cm
Output ways	PNP NO/NC
Voltage drop	≤1.8V
Supply Voltage	10...30 VDC
Load current	≤100mA
Current consumption	≤25mA
Response time	≤0.5ms
Hysteresis range	≤5%
Ambient temperature	-15°C...60°C
Storage temperature	-25°C...70°C
Circuit protection	Short-circuit, overload, reverse polarity and zener protection
Protection degree	IP67
Indicator display	Green light: power indication, signal stability indication; Yellow light: output indication, overload indication
Housing material	ABS
Certification	CE
Weight	52g
Connection	Cable
NO/NC adjustment	NO: white line is connected to the positive electrode; NC: white line is connected to the negative electrode
Distance adjustment	Non-adjustable
Anti-ambient light	Anti-ambient light interference ≥10,000lx; Incandescent light interference ≥3,000lx
Optical components	Plastic PMMA
Production standard	EN60947-5-2:2012、 IEC60947-5-2:2012

## Product recommendation



### Products

Distance Sensors  
Proximity Sensors  
Photoelectric Sensors  
Light Curtain  
Process Controlling

### Industry

Warehouse  
Packaging  
Textile  
Parking  
Electronics

### Solution

Tension system  
Data management system  
Quality data system  
Geotechnical engineering

### Service

Q&A  
Download  
Alibaba  
Contact

### Company

Profile  
R & D  
Manufacturing  
Contact  
Talent Plan

### Shopping

Alibaba

### Subscribe to us

Get the latest information about Lan Bao products, technology and solutions.

Enter email address You are:

### Privacy clause



